

Job Name: _____

System Reference: _____ Date: _____



Indoor Unit: MSZ-GL09NA-U1



Wireless Remote Controller



Outdoor Unit: MUZ-GL09NA-U8

ACCESSORIES:

Indoor Unit

- Condensate Pump (BlueDiamond X87-711/721; 115/230V)
- Condensate Pump (Sauermann SI30-115/230; 115/230V)
- Anti-Allergy Enzyme Filter (MAC-408FT-E)
- Drain Pan Level Sensor (DPLS2)

Outdoor Unit

- Outdoor Mounting Pad (ULTRILITE1)
- Drain Pan Heater (MAC-640BH-U)
- 3-1/4" Mounting Base [Pair] (DSD-400P)
- Drain Pan Socket (MAC-860DS)
- Air Outlet Guide (MAC-889SG)
- Wall Mounting Bracket (QSWB2000M-1)

Controls

- Wireless Controller (MHK1)
- Wireless Interface for kumo cloud™ (PAC-WHS01WF-E)
- Thermostat Interface (PAC-US444CN-1)

SPECIFICATIONS:

Rated Conditions (Capacity / Input)

Cooling*1	Btu/h / W	9,000 / 585
Heating at 47° F*2	Btu/h / W	10,900 / 720

Capacity Range		Minimum	Maximum
Cooling*1	Btu/h	3,600	12,200
Heating at 47° F*2	Btu/h	4,500	14,100
Heating at 17° F*3	Btu/h	-	9,400
Heating at 5° F*4	Btu/h	-	7,600

Rating Conditions per AHRI Standard:

- *1 Cooling | Indoor: 80° F (27° C) DB / 67° F (19° C) WB ; Outdoor: 95° F (35° C) DB / 75° F (24° C) WB
- *2 Heating at 47° F | Indoor: 70° F (21° C) DB / 60° F (16° C) WB ; Outdoor: 47° F (8° C) DB / 43° F (6° C) WB
- *3 Heating at 17° F | Indoor: 70° F (21° C) DB / 60° F (16° C) WB ; Outdoor: 17° F (-8° C) DB / 15° F (-9° C) WB
- *4 Heating at 5° F | Indoor: 70° F (21° C) DB / 60° F (16° C) WB ; Outdoor: 5° F (-15° C) DB / 5° F (-15° C) WB

Operating Conditions (Indoor Intake Air Temp.) (Max./ Min.)

Cooling	90° F (32° C) DB / 67° F (19° C) DB
Heating	80° F (27° C) DB / 70° F (21° C) DB

Operating Conditions (Outdoor Intake Air Temp.) (Max./ Min.)

Cooling	115 F (46° C) DB / 14° F (-10° C) DB
Heating	75° F (24° C) DB / -4° F (-20° C) DB**

** System cuts out at -9° F (-27° C) to avoid thermistor error and automatically restarts at -4° F (-20° C).

AHRI Efficiency Ratings

SEER	24.6
HSPF	12.8
COP at 47° F 17° F	4.44 / 3.3

Energy Star® **Yes**

ENERGY STAR products are third-party certified by an EPA-recognized Certification Body.

Specifications are subject to change without notice.

Electrical Power Requirements 208 / 230V, 1-Phase, 60 Hz

Minimum Circuit Ampacity (MCA)

Indoor / Outdoor	A	1 / 9
------------------	---	-------

Indoor Unit

Blower Motor (ECM)	F.L.A.	0.76
Blower Motor Output	W	30
SHF / Moisture Removal		0.820 / 1.5 pt./h
Field Drainpipe Size O.D.	In.(mm)	5/8 (15)

Outdoor Unit

Compressor	DC INVERTER-driven Twin Rotary	
Fan Motor (ECM)	F.L.A.	0.76

Airflow Rate (Quiet - Lo - Med - Hi - Super Hi)

Indoor (Cooling)	DRY	CFM	145-170-237-321-399
	WET		109-134-201-286-364
Indoor (Heating)	DRY		145-170-237-321-406
			1,229 / 1,172

Sound Pressure Level (Quiet - Lo - Med - Hi - Super Hi)

Indoor	Cooling	dB(A)	19-22-30-37-43
	Heating		19-22-30-37-43
Outdoor	Cooling		48
	Heating		50

External Dimensions

Indoor (H x W x D)	In.(mm)	11-5/8 x 31-7/16 x 9-1/8 (295 x 798 x 232)
Outdoor (H x W x D)		21-5/8 x 31-1/2 x 11-1/4 (550 x 800 x 285)

Net Weight

Indoor	Lbs.(kg)	22 (10)
Outdoor		81 (37)

External Finish

Indoor	Munsell 1.0Y 9.2 / 0.2
Outdoor	Munsell No. 3Y 7.8 / 1.1

Refrigerant R410A; 2 lb. 9 oz.

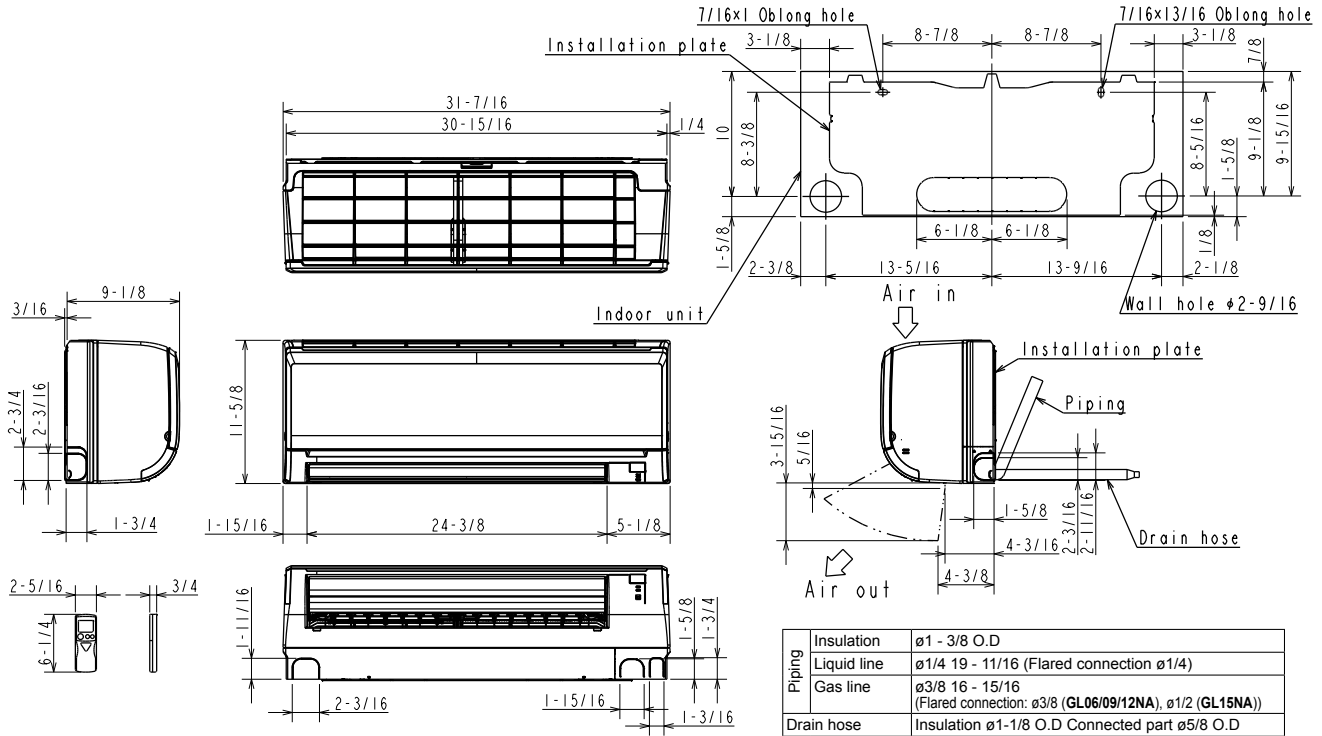
Refrigerant Piping (Flared)

Liquid (High Pressure)	In.(mm)	1/4 (6.35)
Gas (Low Pressure)		3/8 (9.52)
Max. Total Refrigerant Pipe Length (Height Diff.)	Ft. (m)	40 (12)
Max. Total Refrigerant Pipe Length (Length.)		65 (20)

DIMENSIONS: MSZ-GL09NA-U1 & MUZ-GL09NA-U8

MSZ-GL09NA-U1

Unit: in. (mm)

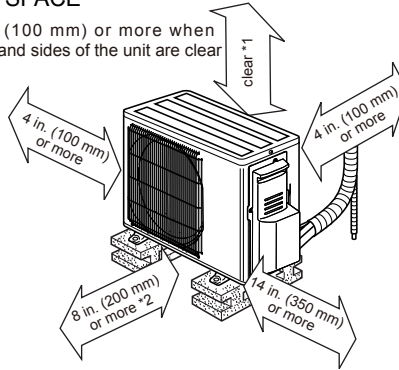


MUZ-GL09NA-U8

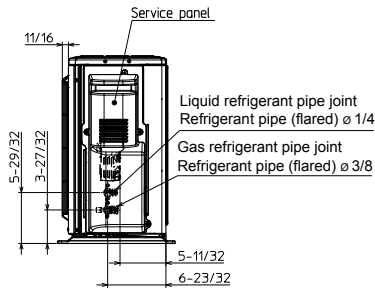
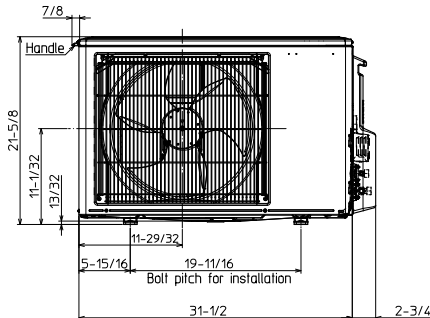
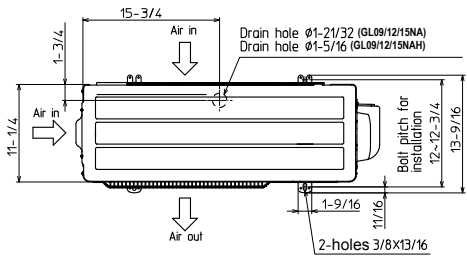
REQUIRED SPACE

Unit: in. (mm)

*1 4 in. (100 mm) or more when front and sides of the unit are clear



*2 When any 2 sides of left, right and rear of the unit are clear



COOLING & HEATING

1340 Satellite Boulevard, Suwanee, GA 30024
 Toll Free: 800-433-4822 www.mehvac.com

